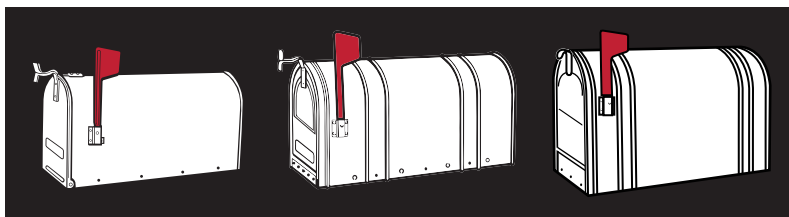


INSTRUCTIONS AND TEMPLATE FOR MOUNTING MAILBOX FLAG

Fulton Corporation

MADE IN THE USA
SINCE 1906



Great for replacing damaged or missing mailbox flags. Plug and play replacement for all Fulton Corporation mailboxes. Universal mount for non-Fulton mailboxes (drilling required).

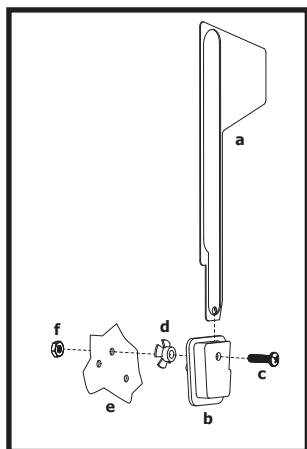


Universal Drilling Template

Cut template out along dotted line

Position Flag Socket where desired and drill the three 3/16" holes - then follow instructions below.

1. Insert flag (a) into open slot of the socket (b) in orientation shown in the diagram to the right and align the holes
2. Insert screw (c) through the hole of the socket (a) and through the flag (b)
3. Place the smooth side of the spacer (d) onto the screw (c), mating with the flag
4. Position the flag socket assembly onto the mailbox (e) by aligning the pegs and the screw with the holes.
5. Secure assembly by tightening the nut (f) from the inside of the mailbox.



Fulton Corporation

Fulton, IL 61252 • fultoncorp.com